

# User Manual / Installation Guide

## Model No. OT15T

**Warning!** It will cause malfunction if the monitor is operating with unspecified power supply unit or incorrect power voltage. Do not exposure this unit in the rain or moisture environment to reduce the risk of fire or electric shock.

### Content:

#### I. Introduction

Features

Unpack the monitor

Accessories

#### II. Installation

To PC

Touch driver

MSR (optional RS-232 or USB or K/B wedge interface)

#### III. Structure of OSD settings

#### IV. For your safety

#### V. Support timing

#### VI. Mechanical dimension

#### VII. FCC Warning Statement

#### VIII. Product General Specification



## **I. Introduction**

OT15T is color TFT LCD monitor, integrate with Elo or TWN resistive touch, suitable for many types of application. Optional MSR and 2<sup>nd</sup> display , please contact regional distributor for further information.

### ➤ **Features**

- Optimal display resolution 1024 \* 768
- VESA 75 \* 75 mm wall mount standard
- Durable and sturdy base design
- Optional 3 tracks Magnetic Strip Reader (MSR)
- Optional variety of 2<sup>nd</sup> display (OT07S/OT08S/OT84S/OT84T/OT10S)
- Adjustable viewing angel freely up to 90 degrees horizontally
- Low power consumption only 20W with LED backlight
- Packing box to be recycled as a free storage cabinet

### ➤ **Unpacking the monitor**

- Put the monitor on a clean surface, make sure the box in upright position.
- Remove packing materials from inside of box.

### **Check accessory**

Please make sure all the accessory are included:

VGA cable



Power adaptor/cable



Touch driver / User Manual CD



Touch cable



### **Optional:**

MSR

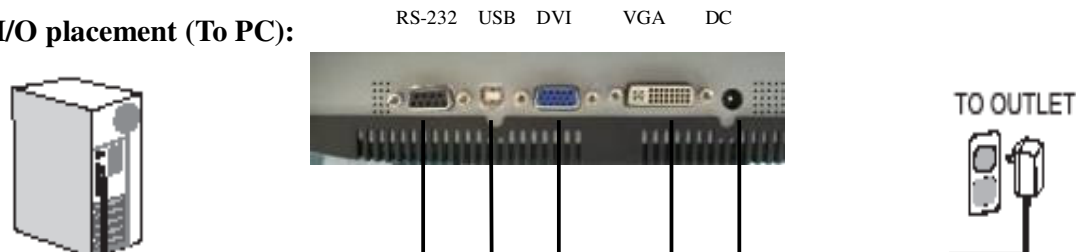


2<sup>nd</sup> display



## **Installation**

### **I/O placement (To PC):**



### ➤ **Touch Driver installation**

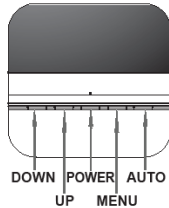
Please refer to driver CD attach to product.

➤ **MSR installation (optional)**



1. Get MSR and screw ready    2. Attach MSR to monitor    3. Organize cables    4. Tighten 2 screws

➤ **Control Buttons**



Power	Use the power switch to turn the power ON or OFF. We recommend to turn your system power on first, then the LCD monitor.
Auto Adjusting	a.) Pressing to execute AUTO-Adjusting function. This function will set the monitor display area to the optimal position. b.) Sometimes this function can't achieve the optimal effects. Please follow the manual adjusting procedure.
Up	a.) When OSD mode is activated (When "MENU" key is pressed). The two keys are used to select the adjustment items. b.) When adjustment item is selected, the two keys are defined to decrease or increase the value of each selected item.
Down	
Menu	When the light bar move other item, the key are used to select it, and read to adjust. Press the MENU key to activate the On Screen Display (OSD). Press twice to turn off the OSD. After 30 sec idle time, the OSD screen will automatically turn off.

➤ **Structure of OSD settings:**

Main Menu	First Level	Second Level	Third Level	Operating Procedure
	Auto Adjust			Press "UP" or "DOWN" to adjust H-phase & H-position & V-position clock automatically.
	Luminance	Brightness		Press "UP" key to increase brightness, "DOWN" key to decrease brightness.
		Contrast		Press "UP" key to increase contrast, "DOWN" key to decrease contrast.
		Exit		

	Geometry	H. Position V. Position Clock Phase Exit		Press “UP” key to shift screen right, “DOWN” key to shift screen left. Press “UP” key to shift picture upward, “DOWN” key to shift picture downward. Adjust sampling clock of analog to digital converter until clock is equal to pixel frequency of video input. By varying this “UP” “DOWN” control the exact sampling time within the pixel can be adjusted.
	Color	9300K 6500K 5800K User Preset Exit	Red Green Blue Exit	Press “UP” or “DOWN” to choose three types of color temperature 9300°k, 6500°k and user define.
	OSD	H. Position V. Position OSD Timeout Exit		Adjust OSD frame horizontal location, press “UP” key to shift frame right, “DOWN” key to shift frame left , timeout and preset OSD. Adjust OSD frame vertical location, press “UP” key to shift frame upward, “DOWN” key to shift frame downward , timeout and preset OSD.
	Language	English French German Italian Spanish Japanese T. Chinese S. Chinese		Press “UP” or “DOWN” to choose any one of the following language, English, French, Germany, Italy, Spain , Japanese, Traditional Chinese and Simplified Chinese.
	Recall	Color Recall		Recall the default value.

		Recall All		
		Exit		
	Miscellaneous	Sharpness Display Information Exit		Press “UP” key to increase sharpness, “DOWN” key to decrease sharpness.
	Exit			

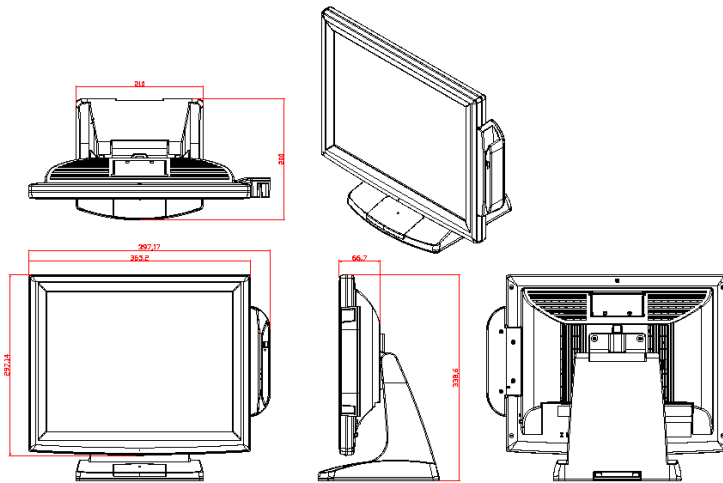
### **III. For your safety**

1. When move the monitor, always switch off power and disconnect all cables to avoid any danger.
2. Please use the power and signal cables correctly when install or bend it.
3. In case of notice any abnormal smell or noise, please stop operation and call the nearest dealer or service center.

### **IV. Support timing chart:**

Timing Mode	Reference Standard	Resolution	Pixel MHz	FH KHz	FV Hz	Interlace	H Polarity	V Polarity
Mode 1	Us Text	640x350	25.175	31.469	70.087	NO		
Mode 2	Us Text	720x400	28.300	31.469	70.087	NO	-	-
Mode 3	VESA	640x480	25.175	31.469	59.940	NO	-	-
Mode 4	VESA	640x480	31.500	37.861	72.809	NO	-	-
Mode 5	VESA	640x480	31.500	37.500	75.000	NO	-	-
Mode 6	VESA	800x600	36.000	35.156	56.250	NO	+	+
Mode 7	VESA	800x600	40.000	37.879	60.317	NO	+	+
Mode 8	VESA	800x600	50.000	48.077	72.188	NO	+	+
Mode 9	VESA	1024x768	65.000	48.363	60.004	NO	-	-
Mode 10	VESA	1024x768	75.000	56.476	70.069	NO	-	-
Mode 11	VESA	1024x768	75.011	57.524	72.000	NO		
Mode 12	VESA	1024x768	78.750	60.023	75.029	NO		

## V. Mechanical Dimension:



## VI. FCC Warning Statement

### **WARNING**

**Note:** This equipment has been tested and found to comply with the limits for a Class B digital device, pursuant to Part 15 of FCC Rules. These limits are designed to provide reasonable protection against harmful interference in a residential installation. This equipment generates, uses and can radiate radio frequency energy and, if not installed and used in accordance with the instruction, may cause harmful interference to radio communications. However, there is no guarantee that interference will not occur in a particular installation. If this equipment does cause harmful interference to radio or television reception, which can be determined by turning the equipment off and on, the user is encouraged to try to correct the interference by one or more of the following measures:

- Reorient or relocate the receiving antenna.
- Increase the separation between the equipment and receiver.
- Connect the equipment into an outlet on a circuit different from that to which the receiver is connected.
- Consult the dealer or an experienced radio/TV technician for help.

### **Notice:**

- (1) *A Unshielded-type power cord is required in order to meet FCC emission limits and also to prevent interference to the nearby radio and television reception. It is essential that only the supplied power cord be used.*
- (2) *Use only shielded cables to connect I/O devices to this equipment.*
- (3) *Changes or modifications not expressly approved by the party responsible for compliance could void the user's authority to operate the equipment.*

## VII. Product General Specification

Model	OT15T
Display size	15"
Display Area	304.1 * 228 mm
Optimal Resolution	1024 * 768
Brightness	250 cd/m <sup>2</sup> s (typ)
Contrast Ratio	600:1 (typ)
Response Time	8 ms (typ)
Viewing Angle(L/R/U/D)	80 / 80 / 80 / 80 (typ)
Input Video signal connector	D-Sub 15 pins
Power consumption	20W
Input Frequency	H: 31.5-60.2 kHz ; V: 56.3-75Hz
Power supply	DC 12V +/- 10%
Temperature	Operating : 0°C~40°C ; Storage : -10°C~50°C
Weight (Net)	4.67kgs
Physical Dimension	365.2 (W) * 338.6 (H) * 200 (D) mm
Approvals	CE, FCC, BSMI, CCC
Touch Technology	5W Resistive Elo touch
Wall Mount type	VESA 75 * 75 mm
Optional items	
Color	Black or White
Wall Mount	Bracket
MSR	3 Tracks
2nd Display	OT07S / OT08S / OT84S / OT84T / OT10S / OT10T
Customer Display	VFD