

FLYTECH

POS335N2

The sleek and elegant design of POS335N2 makes it a perfect fit to the retail and hospitality industry. The fanless design guarantees outstanding performance and enhances customer experience. Seamless integration of numerous peripheral modules such as MSR, iButton, Fingerprint, Second Display and Customer Display.



Modular Design



Fanless



MSR



iButton



Fingerprint



2nd Display



Customer Display



APPLICATION BENEFITS

Sleek, Stylish and Compact

Energy Efficient

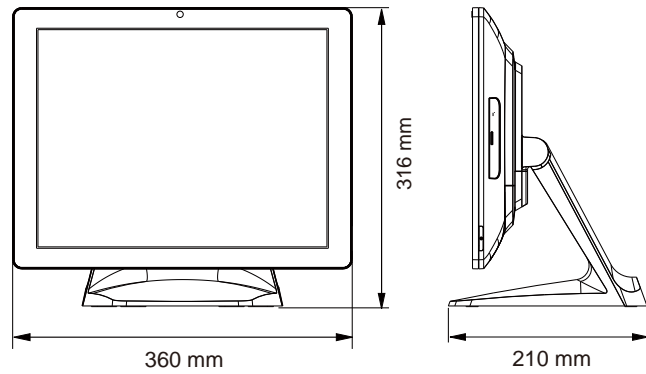
Wall Mountable

Superior Serviceability and Upgradability

FEATURES

- 15" True-Flat PCAP Touch
- Fanless and Silent
- Easy Swap HDD
- Modular Design for Easy Serviceability
- MSR/ iButton/ Fingerprint Available
- 2nd Display and Customer Display Available

DIMENSIONS



SPECIFICATIONS

	Motherboard	D36	D86U	F34	F84U
System	Processor	Intel® Bay Trail J1900	Intel® Skylake 3955U Intel® Skylake i3-6100U Intel® Skylake i5-6300U	Intel® Elkhart Lake Celeron J6412	Intel® Tiger Lake i3-1115G4
	Memory	1x DDR3L up to 8GB	1x DDR3L up to 8GB	4GB DDR4	4GB DDR4
	Storage	1x 2.5" SATA HDD or SSD	1x 2.5" SATA HDD or SSD	128GB SSD (M.2)	128GB SSD (M.2)
Display	Size and Resolution	15" 1024x768	15" 1024x768	15" 1024x768	15" 1024x768
	Touch Screen	True-Flat PCAP multi-touch	True-Flat PCAP multi-touch	True-Flat PCAP multi-touch	True-Flat PCAP multi-touch
Expansion	Mini PCI-E Slot	1	1	-	-
	M.2 (E Key)	-	-	1	1
I/O ports	USB Type-A	1x USB3.0 4x USB2.0	4x USB3.0 2x USB2.0	2x USB3.0 2x USB2.0	2x USB3.0 2x USB2.0
	USB Type-C	-	-	1x USB2.0 (data only) 1x USB3.0 (data only)	1x USB3.0 (data only) 1x USB3.0 (full-featured)
	FeDP	-	-	1x Flytech proprietary miniDP (for 2nd display)	1x Flytech proprietary miniDP (for 2nd display)
	Serial Port	3x RJ48 (Powered RS232) (default:0V, COM1/COM2: 0V/5V, COM3: 0V/12V)	3x RJ48 (Powered RS232) (default:0V, COM1/COM2: 0V/5V, COM3: 0V/12V)	2x DB9 (default 0V; COM1/COM2: 0V, 5V, 12V)	2x DB9 (default 0V; COM1/COM2: 0V, 5V, 12V)
	LAN	1x RJ45	1x RJ45	1x RJ45	1x RJ45
	Cash Drawer	1x RJ11	1x RJ11	1x RJ11	1x RJ11
	VGA	1x DB15	1x DB15	-	-
	Audio Line-out	1 (Option)	-	-	-
	DC Jack	1x 4PIN (with latch)	1x 4PIN (with latch)	1x 4PIN (with latch)	1x 4PIN (with latch)
Audio	Internal Speaker	2 x 2W (Option)	2 x 2W (Option)	1x 3W (Option)	1x 3W (Option)
Indicator	LED Indicator	1	1	1	1
Power	Power Adapter	65W / 19V	90W/19.5V	65W / 19V	120W / 19V
Communication	WLAN + BT	802.11 series, BT4.0 (Option)	802.11 series, BT4.0 (Option)	802.11 series, BT4.0 (Option)	802.11 series, BT4.0 (Option)
Peripheral (option)	MSR	3-Track MSR (USB)	3-Track MSR (USB)	3-Track MSR (USB)	3-Track MSR (USB)
	Fingerprint	Fingerprint reader (USB)	Fingerprint reader (USB)	Fingerprint reader (USB)	Fingerprint reader (USB)
	iButton	iButton (USB)	iButton (USB)	iButton (USB)	iButton (USB)
	Customer Display	LCM display 2 x 20 characters (USB)	LCM display 2 x 20 characters (USB)	LCM display 2 x 20 characters (USB)	LCM display 2 x 20 characters (USB)
	2nd Display	10.1" 2nd display	10.1" 2nd display	11.6" 2nd display	11.6" 2nd display
Certificate	EMC & Safety	FCC Class A, CE Mark, LVD	FCC Class A, CE Mark, LVD	FCC Class A, CE Mark, LVD	FCC Class A, CE Mark, LVD
Environment	Operating Temperature	0°C ~ 35°C (32°F ~ 95°F)	0°C ~ 35°C (32°F ~ 95°F)	0°C ~ 35°C (32°F ~ 95°F)	0°C ~ 35°C (32°F ~ 95°F)
	Storage Temperature	-20°C ~ 60°C (-4°F ~ 140°F)	-20°C ~ 60°C (-4°F ~ 140°F)	-20°C ~ 60°C (-4°F ~ 140°F)	-20°C ~ 60°C (-4°F ~ 140°F)
	Humidity	20% ~ 85% RH non-condensing	20% ~ 85% RH non-condensing	20% ~ 85% RH non-condensing	20% ~ 85% RH non-condensing
Dimensions (W x D x H)		360 x 216 x 316 mm (14.2" x 8.3" x 12.4")	360 x 216 x 316 mm (14.2" x 8.3" x 12.4")	360 x 216 x 316 mm (14.2" x 8.3" x 12.4")	360 x 216 x 316 mm (14.2" x 8.3" x 12.4")
Weight		5.4kg (11.9 lbs)	5.4kg (11.9 lbs)	5.4kg (11.9 lbs)	5.4kg (11.9 lbs)
Mounting		VESA mount 100 x 100	VESA mount 100 x 100	VESA mount 100 x 100	VESA mount 100 x 100
OS Supported		Windows 7 POSReady7 Windows Embedded 8.1 Industry Windows 10 IoT Enterprise Linux	Windows 10 IoT Enterprise Linux	Windows 10 IoT Enterprise Linux	Windows 10 IoT Enterprise Linux

※ PRODUCT SPECIFICATIONS AND DATA ARE SUBJECT TO CHANGE WITHOUT NOTICE ※

Taiwan - Headquarters

No.168, Sing-ai Rd., Neihu District,
Taipei City 11494, Taiwan, R.O.C.
886-2-8791-4988
886-2-8791-4966
sales@flytech.com.tw
www.flytech.com

U.S.A. - California

271 East Brokaw Road, San Jose,
CA 95112, U.S.A.
1-510-257-5180
1-510-257-5181
sales@flytech.com

China - Shanghai

3F Building 39, No. 333 Qin Jiang Rd.,
Shanghai 200233, P.R.China
86-21-5426-1555
86-21-5426-1001
sales@flytech.com.cn
www.flytech.com.cn

China - Hong Kong SAR

Rm01, 6/F, Blk A, Tonic Industrial Centre,
26 Kai Cheung Road, Kowloon Bay,
Kowloon, Hong Kong.
852-3525-5800
852-2751-7447
sales@flytech.com.hk

